

4K 50p Professional PTZ Camera

AW-UE150

New Class of PTZ with 4K 50p Unleashing New Possibilities in Video Production



KEY FEATURES

- First 50p Integrated PTZ Camera
- 75.1° horizontal viewing angle (widest in its class)
- Various 4K interfaces (12G-SDI, HDMI, Optical Fiber, IP)
- Optical 20x Zoom + iZoom
- 4K/HD Simultaneous Output

The AW-UE150 will be the newest addition to Panasonic's comprehensive professional PTZ camera lineup. Featuring a 1-type MOS large sensor, this next generation PTZ camera supports high-quality 4K 50p video, features a 75.1 degree viewing angle, 20x optical zoom and supports versatile outputs, including 12G-SDI, HDMI, optical fiber and IP. Simultaneous 4K/HD operation makes this PTZ camera powerhouse ideal for those looking to future-proof their system.

The next-generation PTZ camera supports high-quality video production in stadium, lecture halls and other venues. Smooth and high-quality 4K 50p^{*1}, high-magnification zoom and a wide shooting angle expand the range of the PTZ camera's applications. The camera is equipped with a variety of interfaces and supports simultaneous 4K/HD operation which allows for versatility in current and future production systems.

The software version 2.16 makes the AW-UE150 series compatible with FreeD and Augmented Reality (AR) and Virtual Reality (VR) systems.

Download the PTZ Angle of View & Object Distance calculator



Watch Videos

High-Quality 4K 50p^{*1} Shooting

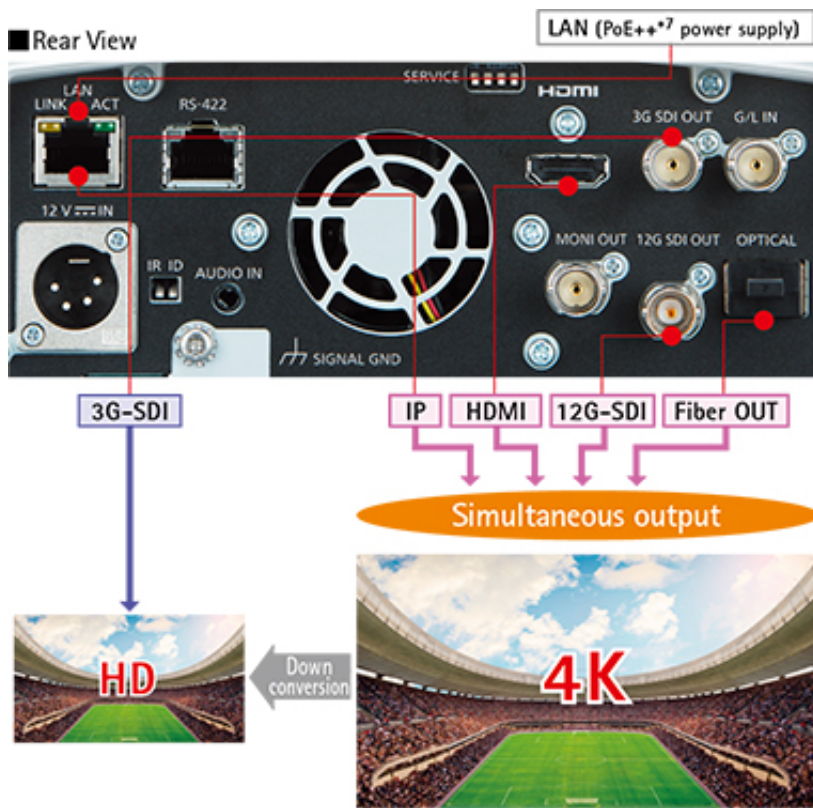
3840 x 2160 4K output and 59.94p/50p^{*1} shooting achieve extremely smooth video, even in live sports and other environments containing rapid movement.

1.0-type MOS Sensor Mounted

The large 1.0-type MOS sensor enables high sensitivity shooting with low noise. The sensor boasts a light-capturing area that is approximately four times larger than that of the 1/2.3-type sensor to guarantee a wide dynamic range.

Multiple Interfaces Supported

A wide range of outputs are supported: 12G-SDI, 3G-SDI, HD-SDI, HDMI, IP and even Optical Fiber output. The addition of 4K/HD simultaneous output guarantees the right output for the operation at hand. 4K video can be down converted to HD directly within the camera.



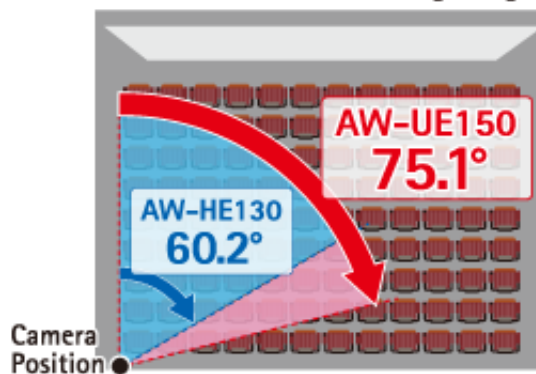
Optical 20x Zoom / 75.1° Horizontal Wide-Angle Shooting

Optical 20x zoom is further expanded with “i zoom” to maintain high resolution for capturing even subjects far-away with perfect clarity. Coupled with a wide horizontal angle of 75.1°, an entire area can be captured despite any installation space limitations.

Optical 20x Zoom Image Quality



Horizontal 75.1° Shooting Range



*1: Actual recording is UHD (3840 x 2160) 59.94p/50p.

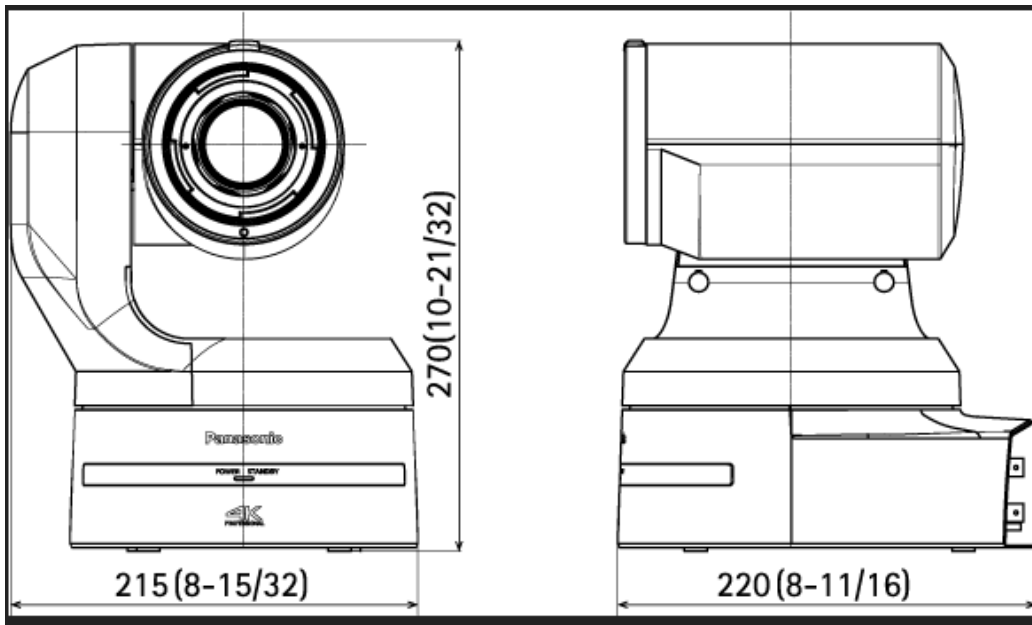
*2: Abbreviation of Power over Ethernet Plus. Conforms to IEEE802.3bt (Draft ver. 2.0). (TBA)

Output format (Preliminary) as of May, 2018

4K	2160/59.94p, 2160/50p, 2160/29.97p*, 2160/25p*, 2160/24p*, 2160/23.98p*
HD	1080/59.94p, 1080/50p, 1080/29.97p*, 1080/29.97PsF, 1080/25p*, 1080/25PsF, 1080/23.98p over 59.94i, 1080/24p*, 1080/23.98p*, 1080/23.98PsF, 1080/59.94i, 1080/50i

* Native output

Dimensions: mm (inch) (Preliminary) as of May, 2018



Specifications are subject to change without notice

Go to the 'Images and Videos' section of this page to see more videos.



SPECIFICATIONS

Power Requirements	12 V DC (10.8 V to 13.2 V)
PoE++	IEEE802.3bt standard: DC 42 V to 57 V (Camera Input)
Current Consumption	4.0 A (XLR IN connector), 1.2 A (PoE++ power supply)
Ambient Operating Temperature	0 °C to 40 °C (32 °F to 104 °F)
Ambient Operating Humidity	20 % to 90 % (no condensation)
Storage Temperature	-20 °C to 50 °C (-4 °F to 122 °F)
Mass	Approx. 4.2 kg (9.24 lb) (excluding mount bracket)
Dimensions (W x H x D) (mm)	213 mm x 267 mm x 219 mm (excluding protrusions, direct ceiling mount bracket)
Dimensions (W x H x D) (inch)	8-3/8 inches x 10-1/2 inches x 8-5/8 inches (excluding protrusions, direct ceiling mount bracket)
Finish	AW-UE150WP/AW-UE150WE: Pearl white AW-UE150KP/AW-UE150KE: Black
Controller Supported*1	AW-RP150GJ
Imaging Sensors	1-type 4K MOS×1
Lens	Motorized Optical 20x zoom, F2.8 to F4.5 [f=8.8 mm (11/32 inches) to 176.0 mm (6-15/16 inches); 35 mm (1-3/8 inches) equivalent: 24.5 mm (31/32 inches) to 490.0 mm (19-9/32 inches)]
Zoom	<ul style="list-style-type: none"> • Optical zoom: 20x • i.Zoom: UHD 24x, FHD 32x • Digital zoom: 10x
Conversion Lens	Not supported
Angle of View Range	Horizontal angle of view: 75.1° (wide) to 4.0° (tele) Vertical angle of view: 46.7° (wide) to 2.3° (tele) Diagonal angle of view: 82.8° (wide) to 4.6° (tele)
Optical Filter	Through, 1/4, 1/16, 1/64, IR through (IR through is used as "Night mode")
Focus	Switching between auto and manual
Focus Distance	Entire zooming range: 1000 mm (3.3 ft) Wide end: 100 mm (0.33 ft)
Color Separation Optical System	1MOS
Standard Sensitivity	F9, 2000 lx (When normal mode is selected)
Minimum Illumination	2 lx (F2.8, 59.94p, 50IRE, 42 dB, without accumulation)
S/N	60 dB or more
Horizontal Resolution	1600 TV lines Typ (Center area)
Gain Selection	Auto, 0 dB to 36 dB*2 Super Gain function equipped : +37 dB to 42 dB
Frame Mix*3	0 dB, 6 dB, 12 dB, 18 dB, 24 dB
Electronic Shutter Speed	59.94p/59.94i 1/60, 1/100, 1/120, 1/250, 1/500, 1/1000, 1/2000, 1/4000, 1/8000, 1/10000 29.97p 1/30, 1/60, 1/100, 1/120, 1/250, 1/500, 1/1000, 1/2000, 1/4000, 1/8000, 1/10000 23.98p/24p 1/24, 1/48, 1/60, 1/100, 1/120, 1/250, 1/500, 1/1000, 1/2000, 1/4000, 1/8000, 1/10000 50p/50i 1/60, 1/100, 1/120, 1/250, 1/500, 1/1000, 1/2000, 1/4000, 1/8000, 1/10000 25p 1/25, 1/50, 1/60, 1/100, 1/120, 1/250, 1/500, 1/1000, 1/2000, 1/4000, 1/8000, 1/10000
Syncro Scan	59.94p/59.94i : 60.00 Hz to 7200 Hz 29.97p : 30.00 Hz to 7200 Hz 23.98p/24p : 24.00 Hz to 7200 Hz

	50p/50i : 50.00 Hz to 7200 Hz 25p : 25.00 Hz to 7200 Hz
Gamma	HD / FILMLIKE1 / FILMLIKE2 / FILMLIKE3/ FILM REC / VIDEO REC / HLG
White Balance	ATW : 3200K, 5600K ATW Speed : Normal / Slow / Fast AWB : AWB-A / AWB-B VAR (selectable between 2000K and 15000K by designating a value)
Chroma Amount Variability	OFF, -99 % to 99 %
Scene File	Scene1, Scene2, Scene3, Scene4
Output Format	4K 2160/59.94p, 2160/50p, 2160/29.97p*4, 2160/25p*4, 2160/24p*4, 2160/23.98p*4 HD 1080/59.94p, 1080/50p, 1080/29.97p*4, 1080/29.97PsF, 1080/25p*4, 1080/25PsF, 1080/23.98p*5, 1080/24p*4, 1080/23.98p*4, 1080/23.98PsF, 1080/59.94i, 1080/50i, 720/59.94p, 720/50p
Synchronization System	Internal / External synchronization (BBS / Tri-level sync)
Input Connector	DC 12 V IN, G/L IN (BNC) • BBS (Black Burst Sync), tri-level sync supported
Video Output	HDMI HDMI 2.0 standard 4:2:2/10bit • HDCP is not supported. • Viera Link is not supported. 12G-SDI OUT SMPTE 2082-1 standard / 75 Ω (BNC x 1) 3G-SDI OUT SMPTE292 / 75 Ω (BNC x 1) • Level-A/Level-B supported MONI OUT SMPTE292 / 75 Ω (BNC x 1) Optical Fiber SFP+ standard Single Fiber • The signal sent is the same as 12G-SDI OUT. • This unit does not support input by optical signals.
Input / Output Connector	LAN LAN connector for IP control (RJ-45) RS-422 CONTROL IN RS-422A (RJ-45) MIC/LINE input φ3.5 mm stereo mini jack Input impedance: High impedance • During MIC input Supported mic: Stereo mic (plug-in power, on/off switching via menu) Supply voltage: 2.5 V ± 0.5 V Mic input sensitivity: Approx. -40 dBV ± 3 dBV (0 dB=1 V/Pa, 1 kHz) • During LINE input Input level: Approx. -10 dBV ±3 dBV
Camera/Pan-Tilt Head Control	IP connecting cable • LAN cable*6*7 : (category 5e or above, straight cable / crossover cable) max. 100 m (328 ft) AW protocol connecting cable LAN cable*6 (category 5e or above, straight cable) max. 1000 m (3280 ft)
Installation Method	Stand-alone (Desktop) or suspended (Hanging)*8
Pan/Tilt Operation Speed	Minimum speed 0.08°/s Maximum speed 60°/s or higher*9 • Maximum speed is 180°/s in high-speed mode
Panning Range	±175°
Tilting Range	-30° to 210°*10
Quietness	NC35 or less

Supported operating systems and web browsers	<p>Windows Microsoft(R) Windows(R) 7, 10 Windows(R) Internet Explorer(R) 11 (64-bit/32-bit) Microsoft Edge Google Chrome</p> <p>Mac Mac OS 10.13, Mac OS 10.12, Mac OS 10.11, Safari 11, Google Chrome</p> <p>iPhone / iPad iOS 11.4.1 Google Chrome</p>
Image Streaming Mode	JPEG (MJPEG), H.264, H.265
Image Resolution	3840×2160, 1920×1080, 1280×720, 640×360, 320×180
Image Transmission setting (JPEG)	Frame Rate: Maximum 30 fps Image quality (Fine / Normal)
Image Transmission Setting (H.264)	<p>■Frame Rate [60Hz] 5fps/15fps/30fps/60fps (UHD: 30fps, 60fps) [50Hz] 5fps/12.5fps/25fps/50fps (UHD: 25fps, 50fps)</p> <p>■Max Bit Rate HD : 512kbps/768kbps/1024kbps/1536kbps/2048kbps/3072kbps/4096kbps/6144kbps/8192kbps/10240kbps/12288kbps/14336kbps/16384kbps/20480kbps/24576kbps/32768kbps/40960kbps/51200kbps/76800kbps UHD : 12800kbps/25600kbps/51700kbps/76800kbps</p>
Image Transmission Setting (H.265)	<p>■Image Transmission Type: Unicast port (AUTO) Unicast port (MANUAL) Multicast port</p> <p>■Frame Rate [60Hz] 30fps [50Hz] 25fps</p> <p>■Max Bit Rate 8192kbps/12800kbps/25600kbps/51200kbps/76800kbps</p>
Audio Compression Type	AAC-LC, 48 kHz / 16 bit / 2ch
Supported Protocol	<p>■IPv6 : TCP / IP, UDP / IP, HTTP, HTTPS, DNS, NTP, DHCPv6, RTP, MLD, ICMP, ARP, RTMP</p> <p>■IPv4 : TCP / IP, UDP / IP, HTTP, HTTPS, RTSP, RTP / RTCP, DHCP, DNS, DDNS, NTP, UPnP, IGMP, ICMP, ARP, RTMP</p>
NDI support*12	NDI HX
Tally LED display color	red / green
Note	<p>*1: AW-RP50, AW-RP120G, AK-HRP1000GJ and AK-HRP1005GJ connection with the AW-UE150W/K is planned for future support. Contact your sales representative for further information on when support will be available for this feature. Use may require a software version update. *2: 1 dB step increments can be set. *3: This cannot be configured when the format is 2160/29.97p, 2160/23.98p, 2160/24p, 2160/25p, 1080/29.97p, 1080/23.98p(59.94i), 1080/29.97PsF, 1080/23.98PsF, 1080/25p, 1080/25PsF. *4: Native output. *5: It denotes "1080/23.98p over 59.94i". *6: Use of an STP (shielded twisted pair) cable is recommended. *7: Category 6 or more is used when sending 4K images. *8: To ensure safety, the unit must be secured using the mount bracket supplied. *9: Quietness, stationary accuracy, etc., in high-speed mode may vary from normal mode. *10: Depending on the pan or tilt position, the camera may be reflected in the image. *11: Supported OS indicated are for browsers current as of October 2018. See Service and Support on the Panasonic website (https://pro-av.panasonic.net/en/) for the latest information on browser support. *12: Contact your local Panasonic vendor for further information.</p>

URL: https://business.panasonic.co.uk/professional-camera/4K_50p_Professional_PTZ_Camera/AW-UE150

CONTACT

Web: <https://business.panasonic.co.uk/professional-camera/contact-us>